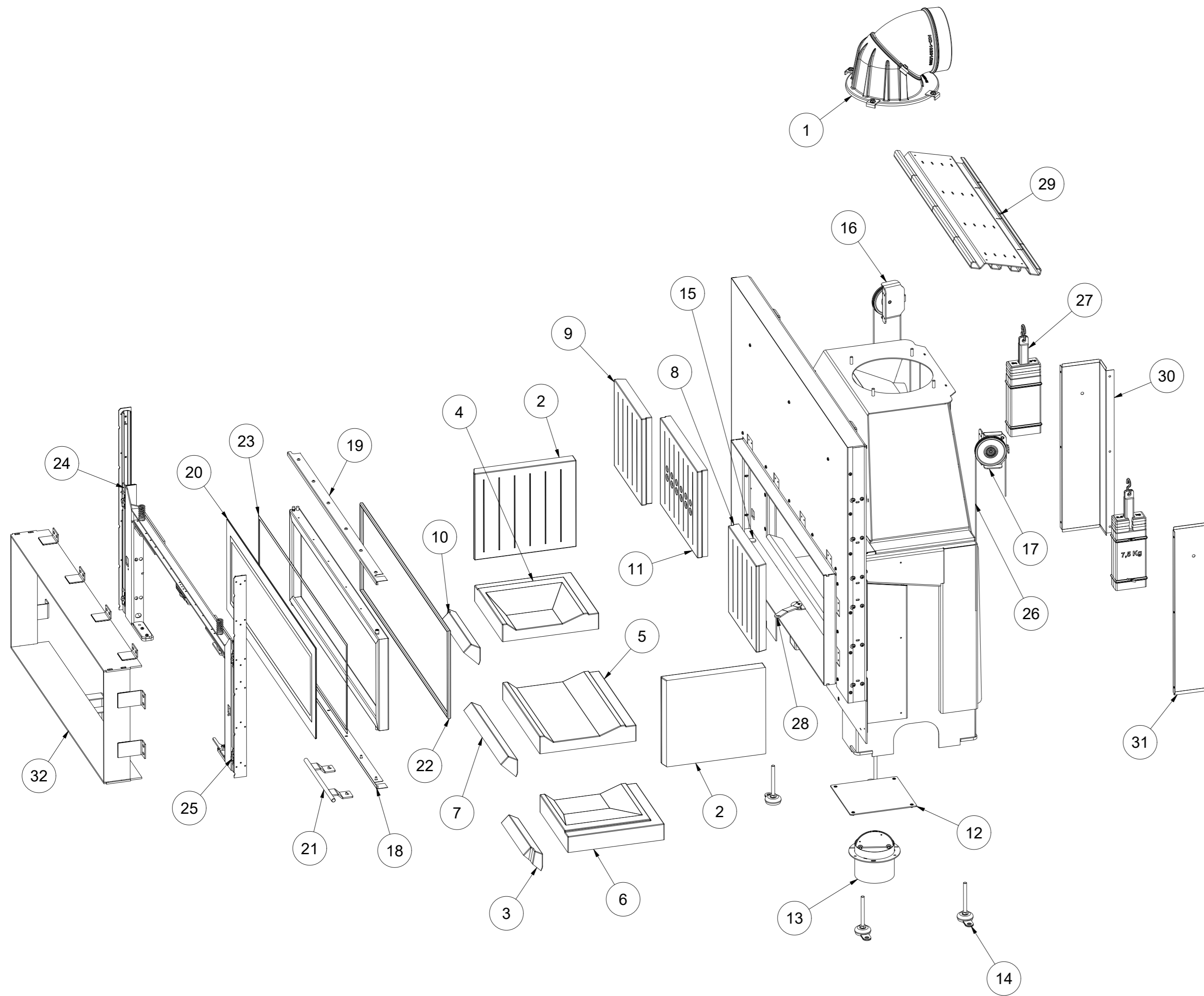


R1/100



Position	number	Name	Part number / standard
1	1	Exhaust gas outlet	ND-03-00-00
2	2	Acumotte panel - side	MB-100-G_05-07-00
3	1	Acumotte base part 1 - front	MB-100-G_05-03-00
4	1	Acumotte - ch2 base	MB-100-G_05-04-00
5	1	Acumotte - base - part 3	MB-100-G_05-05-00
6	1	Acumotte - base ch1	MB-100-G_05-06-00
7	1	Acumotte base part 3 - front	MB-100-G_05-02-00
8	1	Acumotte rear panel - part 1	MB-100-G_05-09-00
9	1	Acumotte rear panel - part 3	MB-100-G_05-08-00
10	1	Acumotte base ch2 - front	MB-100-G_05-01-00
11	1	Acumotte rear panel - part 2	MB-100-G_05-10-00
12	1	Blanking plug	MB-O-BSP-G_01-26-00
13	1	Nadia-6551 - Throttle valve above kpl	NB-C7_The throttle valve is a combination
14	4	GN 32-Levelling feet with fixing lug rubber bla	Levelling foot GN 32-50-M10-100-A1-S (0)
15	2	Rubber bumper	G01-15.00.03
16	1	Block L	MB-100-R-G-04-01-00
17	1	Block P	MB-100-R-G-04-02-00
18	1	MB-P-G-100 - Glass pressure bar - bottom	MB-100-G_03-17-00
19	1	MB-100-G Glass pressure bar - top	MB-100-G_03-16-00
20	1	S/4/G/955x314/MB/100/G/BEZ/LOGO	S/4/G/955x314/MB/100/G/BEZ/LOGO
21	1	HANDLE/VNL/ROKOSSA	HANDLE/VNL/ROKOSSA
22	1	2.5 mb	String - Profile
23	1	The rope seals the glass	TSG SP 10x3 - 2.6 mb
24	1	Guideway assembly L	Amelia-02-04-00
25	1	Guide unit P	Amelia-02-05-00
26	2	Cable weight MB100G Rokossa	STRING_07-860/CUSHA
27	2	Loader_7.5 without logo	Loader_7.5 without logo
28	1	Slide - handle	MB-O-BSP-R-G_01-11-00
29	1	Steel deflector	MB-120-G-10-00-00
30	1	Shield - 2	MB-100-R-G-02-01-12-3
31	1	Shield - 3	MB-100-R-G-02-01-12-4
32	1	MB-100-R-G_Blenda	MB-100-R-G_Blenda