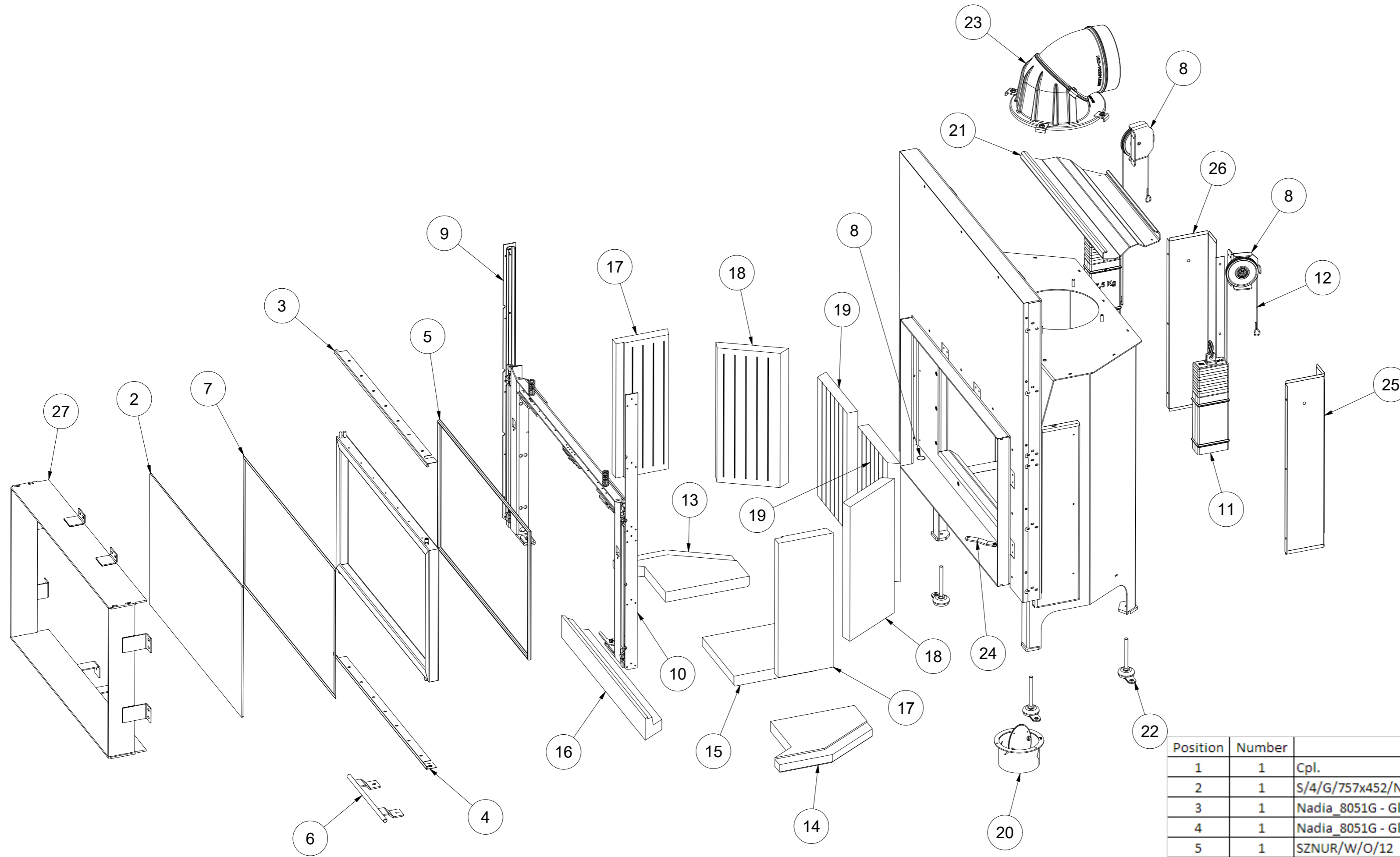


R1/80



| Position | Number | Name | Part No. / standard |
|----------|--------|---|--|
| 1 | 1 | Cpl. | ND12RG-02-01-00 |
| 2 | 1 | S/4/G/757x452/NADIA/12/G/BEZ/LOGO | S / 4 / G / 757x452 / NADIA / 12 / G / NO / LOGO |
| 3 | 1 | Nadia_8051G - Glass pressure bar - top | ND12G-02-02-04-7 |
| 4 | 1 | Nadia_8051G - Glass pressure bar - bottom | ND12G-02-02-04-8 |
| 5 | 1 | SZNR/W/O/12 | String - Profile - 2.4 mb |
| 6 | 1 | HANDLE/VNL/ROKOSSA | LATCH / VNL / ROKOSSA |
| 7 | 1 | The rope seals the glass | TSG SP 10x3 - 2.4 mb |
| 8 | 1 | Cpl. | ND12RG-02-01-00 |
| 9 | 1 | Guide unit L | ND10RG-08-00-00 |
| 10 | 1 | Guide unit P | ND10RG-09-00-00 |
| 11 | 2 | Weight_7.5-10kg | OG-7.5-10 |
| 12 | 2 | STRING_01-930_CAUSHA | STRING_01-930_CAUSHA |
| 13 | 1 | Thermotec - left bottom | ND12-01-06-02 |
| 14 | 1 | Thermotec - right bottom | ND12-01-06-03 |
| 15 | 1 | Thermotec - bottom centre | ND12-01-06-01 |
| 16 | 1 | Thermotec - hurdle | ND12-01-06-05 |
| 17 | 2 | Thermotec - side 1 | ND12-01-06-08 |
| 18 | 2 | Thermotec - side 2 | ND12-01-06-07 |
| 19 | 2 | Thermotec - back panel | ND12-01-06-06 |
| 20 | 1 | Nadia-6551 - Throttle valve above kpl | ND-01-04-00 |
| 21 | 1 | Steel deflector | ND12-01-07-08 |
| 22 | 4 | GN 32-Levelling feet with fixing lug rubber bla | Levelling foot GN 32-50-M10-100-A1-S (0) |
| 23 | 1 | Exhaust gas outlet | ND-03-00-00 |
| 24 | 1 | Pow throttle - handle | ND10RG-01-00-07 |
| 25 | 1 | Shield - 3 | ND10RG-02-01-12-4 |
| 26 | 1 | Shield - 2 | ND10RG-02-01-12-3 |
| 27 | 1 | ND12RG_Blenda | ND12RG_Blenda |